

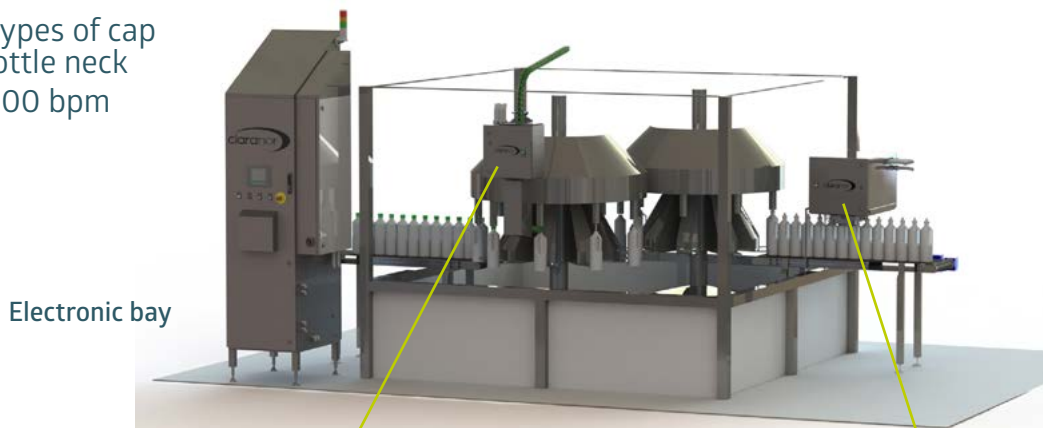


CHEMICAL FREE, INLINE CAP & MOIL OR BOTTLE NECK STERILIZATION

CLARANOR PULS'COMBI HDPE®

1 ELECTRONIC BAY + 1 CAP STERILIZER + 1 MOIL STERILIZER

- All sizes and types of cap and moil or bottle neck
- Speed up to 500 bpm



Electronic bay

CAP TREATMENT, 2 OPTIONS :

MOIL/BOTTLE NECK TREATMENT

ESL 30-60 DAYS

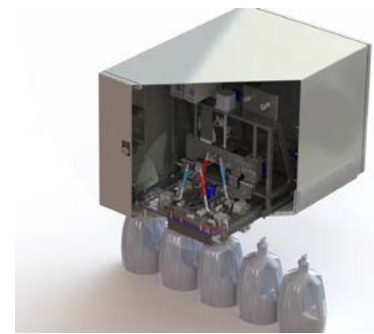


CAP, surface in contact with the product

ESL 60-90 DAYS



FULL CAP, both sides of the cap



- Compact & easy to integrate
- Chemical free & dry sterilization
- Instant treatment
- No warm up or preparation time
- No residue



Pasteurized, flavoured, organic and non dairy milk, RTD coffee, drinking yogurt, milkshake ...

MOIL/ BOTTLE NECK

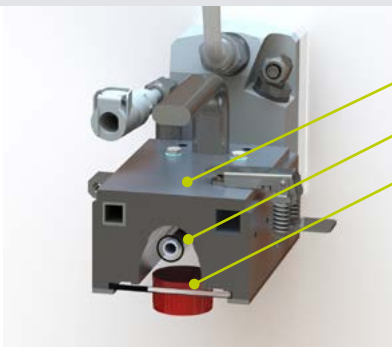


- The optical cabinet is integrated on the bottle infeed conveyor. The optical cavity is built in a «tunnel-cabinet» that provides light shielding.
- Moils or bottle necks are accurately flashed while moving through the optical cavity before filling.

PERFORMANCE:

4 log red on *Aspergillus brasiliensis*

CAP



reflector

Xenon lamp

cap

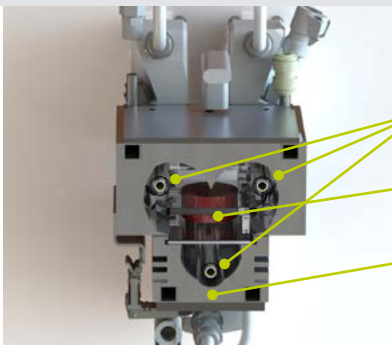
- The optical cabinet is integrated above the capper, designed with 1 reflector

PERFORMANCE:

Sterilization of the Internal side of the cap, surface in contact with the product

from 3 to 5 log red on bacteria and molds

FULL CAP DESIGNED TO ADDRESS CROSS CONTAMINATION ISSUES



Xenon lamps

cap

reflectors

- The optical cabinet is integrated above the capper, designed with 2 reflectors

PERFORMANCE:

Sterilization of both sides of the cap

from 3 to 5 log red on bacteria and molds

www.claranor.com



Your contacts:

Guillaume DONZALLAZ

Tél. + 33 776 775 3 30



COMPACT



CLEANTECH



COST EFFICIENT



POWERFUL

gdonzallaz@claranor.com



IMS Kyle TURNER

Tél. + 1 937 295 2022

Distributor in the USA

www.ims-spi.com

700 Tower Drive Fort Loramie, OH 45845

kyle.turner@ims-spi.com